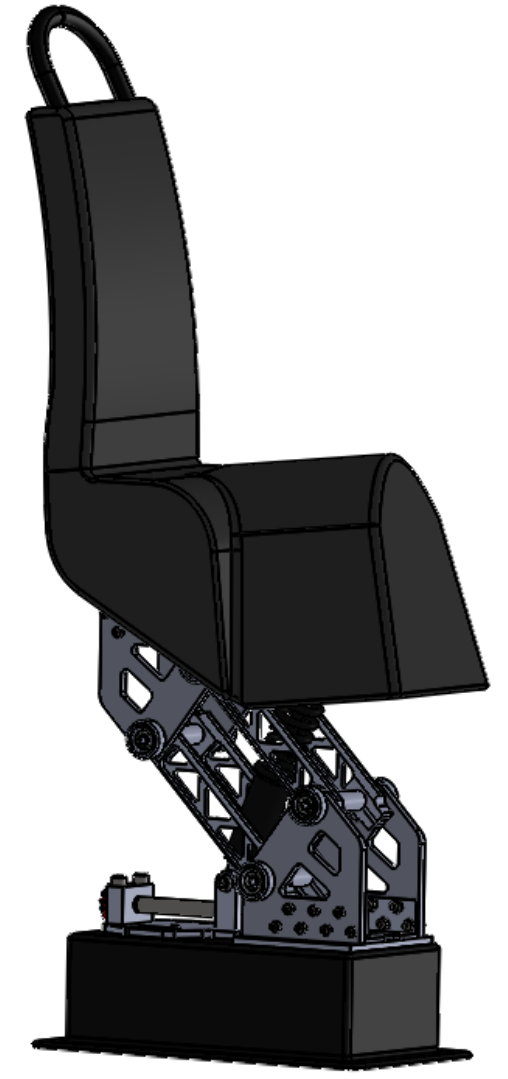
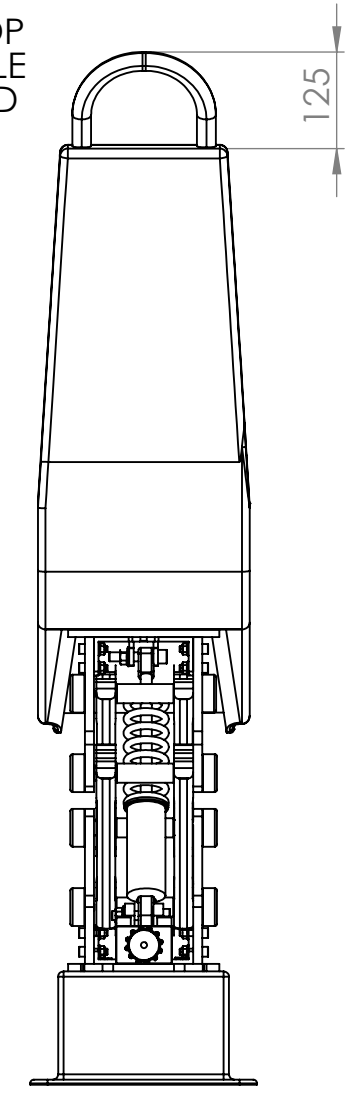
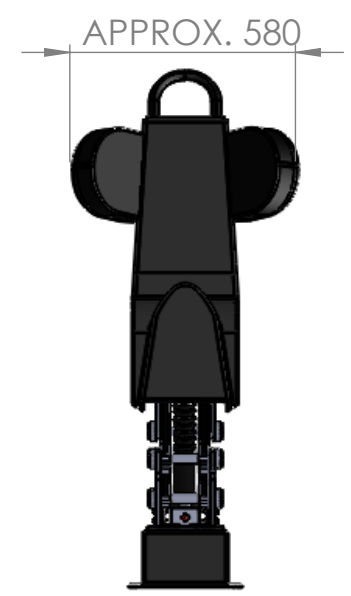


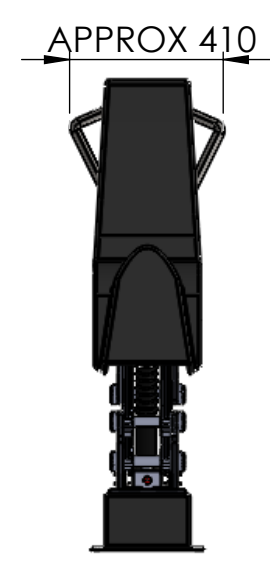
SEAT WITH TOP
GRAB HANDLE
AS STANDARD



OPTIONAL EXTRAS



SEAT WITH SIDE
SUPPORT WINGS



SIDE GRAB HANDLES

UNLESS OTHERWISE SPECIFIED: DIMENSIONS ARE IN MILLIMETERS SURFACE FINISH: TOLERANCES: LINEAR: ANGULAR:				FINISH:		DEBUR AND BREAK SHARP EDGES		DO NOT SCALE DRAWING		REVISION	
DRAWN				NAME		SIGNATURE		DATE		TITLE:	
CHK'D										S2J Fox Shocks with Various Options	
APPV'D											
MFG										DWG NO.	
Q.A								MATERIAL:		A3	
								WEIGHT:		SCALE:1:20	
										SHEET 1 OF 1	